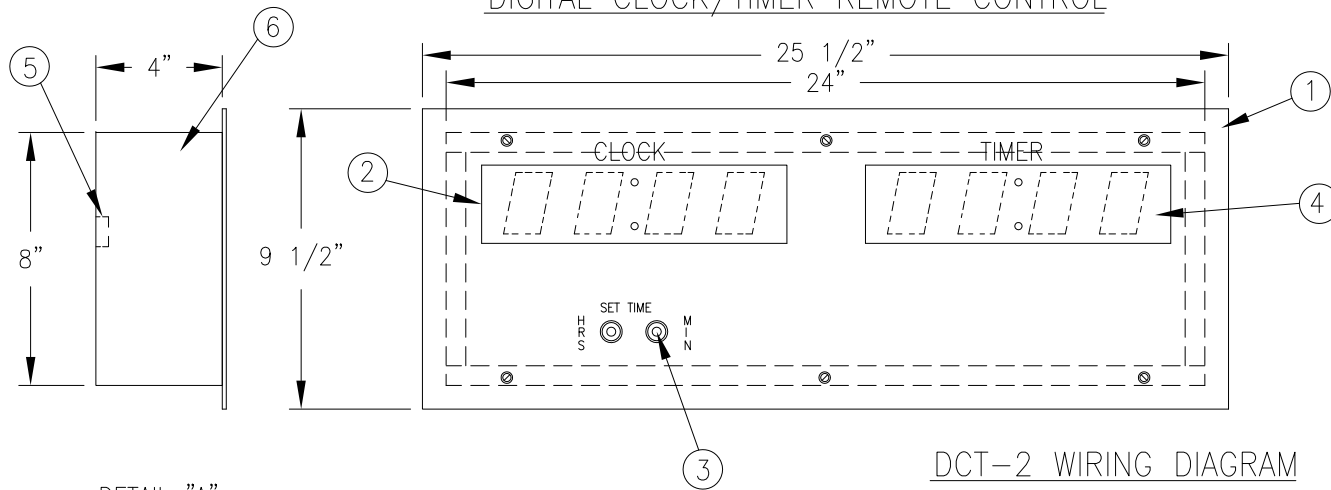
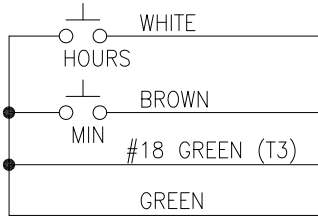


# DIGITAL CLOCK/TIMER REMOTE CONTROL

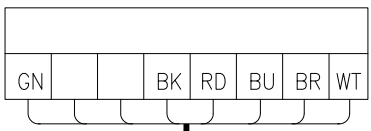


PARTS LIST		
ITEM	QTY.	DESCRIPTION
1	1	STAINLESS STEEL FRONT, TYPE 304
2	1	CLOCK DISPLAY
3	1	CLOCK CONTROLS
4	1	TIMER DISPLAY
5	1	TERMINAL BLOCK
6	1	GALVANIZED BACK BOX, 24" x 8" x 4", P/N: 478-206-537

DETAIL "A"

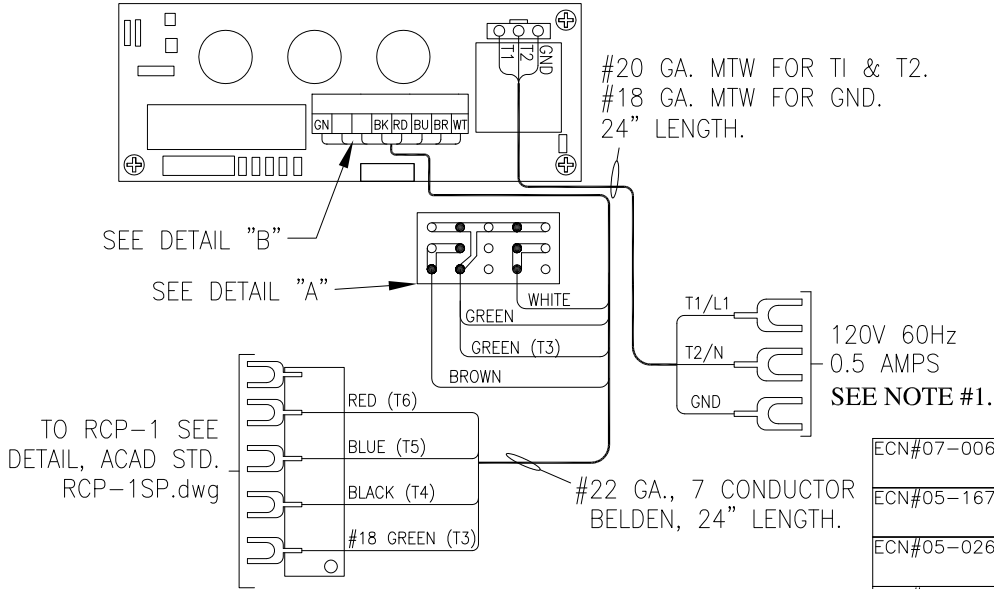


DETAIL "B"



TO RCP-1 SEE  
DETAIL, ACAD STD.  
RCP-1SP.dwg

DCT-2 WIRING DIAGRAM  
REAR VIEW OF DCT-2




**REFERENCE ONLY**

TOTAL REQUIRED \_\_\_\_\_

ECN#07-006. REMOVED CSA FILE NUMBER.	JJM	01/12/07	05
ECN#05-167. UPDATED TITLE BLOCK	DTS	10/24/05	04
ECN#05-026. CORRECTED CSA FILE NUMBER.	JJM	02/04/05	03
ECN#04-242. ADDED CSA FILE NUMBER.	JJM	10/21/04	02
ADDED BACKBOX NUMBER. REMOVED RCP-1.	JJM	12/17/03	01
ECN# 03-069.	JJM	12/17/03	01

**NOTES:**  
 1. CONTRACTOR'S WIRING MUST BE MADE WITH CSA APPROVED, MINIMUM 300 VOLT 14 GA. THHN OR EQUAL.  
 2. BACK BOXES MUST BE FLUSH MOUNTED WITH FINISHED WALL. ALL CSA CODE REQUIRMENTS MUST BE MAINTAINED. CONDUIT ENTRY ON TOP, BOTTOM, OR EITHER SIDE.

FOR:		S.O. NUM.:	
STD. B.O.M.: DCT-2.xls	ACAD STD.: DCT-2.dwg	TITLE/DESCRIPTION: DUAL DIGITAL CLOCK AND TIMER TYPE: DCT-2	
 <p><b>POST GLOVER LIFELINK</b>                  167 GAP WAY                  ERLANGER, KY U.S.A. 41018 (859) 283-5900                  COPYRIGHT © 2007</p>		DFTR: GCG	DATE: 01/21/00
<small>THIS DOCUMENT AND THE INFORMATION IT CONTAINS ARE THE PROPERTY OF POST GLOVER LIFELINK. IT IS DISCLOSED FOR THE PURPOSE FOR WHICH IT IS FURNISHED AND SHALL NOT BE DUPLICATED OR DISTRIBUTED.</small>		DWG. NO.: DCT-2	REV.: 05