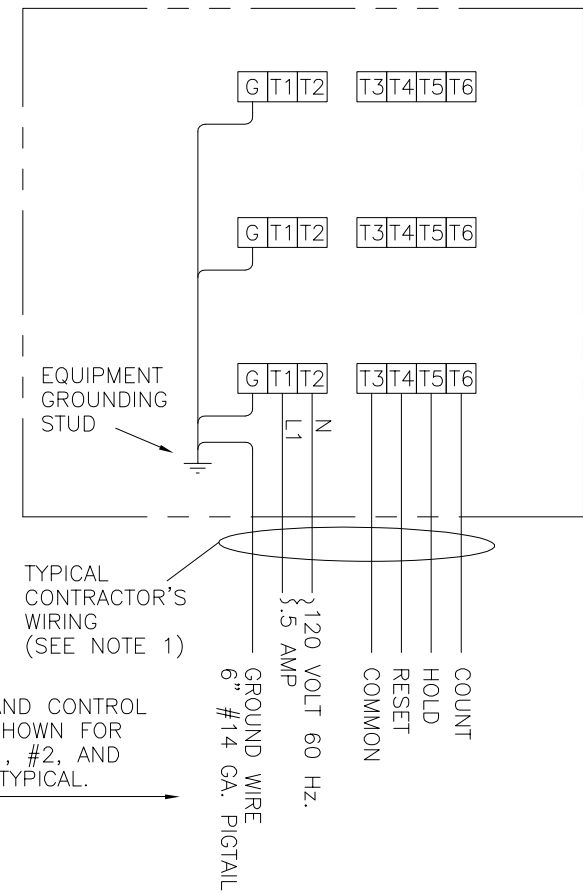


TOTAL REQUIRED _____

PARTS LIST		
ITEM	DESCRIPTION	QTY.
1	GALVANIZED BOX - CONDUIT ENTRY ON TOP, BOTTOM, OR EITHER SIDE. 18"x26"x4", P/N: 478-206-550	1
2	TYPE 304 STAINLESS STEEL FRONT PLATE	1
3	CLOCK CONTROL - "TIME SET" SWITCH	1
4	TERMINAL BLOCK	6
5	CLOCK - DIGITAL TO INDICATE TIME OF DAY (12 OR 24 HOUR)	1
6	TIMER - DIGITAL TO INDICATE ELAPSED TIME	3
7	CARD HOLDER	3



POWER AND CONTROL WIRING SHOWN FOR TIMER #1, #2, AND #3 ARE TYPICAL.

- NOTES
1. CONTRATOR'S CONNECTIONS MAY BE MADE WITH THHN OR EQUAL, 300 VOLT, #18 GA. (MIN.) FOR CONTROL WIRES.
 2. USE #14 GA. THHN POWER WIRES.
 3. REFERENCE ACAD STD. DRAWING SB3173 FOR REMOTE CONTROL STATION.

ECN#05-049. ADDED NEW BORDER.	
JJM	03/21/05 01
REVISIONS	

FOR: **REFERENCE ONLY** S.O. NUM.:

STD. ACAD STD.: SB3172.dwg

POST GLOVER LIFELINK
 4750 OLYMPIC BLVD. BLDG. B
 ERLANGER, KY U.S.A. 41018 (859) 283-5900
 COPYRIGHT © 2005

THIS DOCUMENT AND THE INFORMATION IT CONTAINS ARE THE PROPERTY OF POST GLOVER LIFELINK. IT IS DISCLOSED FOR THE PURPOSE FOR WHICH IT IS FURNISHED AND SHALL NOT BE DUPLICATED OR DISTRIBUTED.

TITLE/DESCRIPTION:
SURGICAL CHRONOMETER
 TYPE: DCT-4

DFTR: JJM DATE: 06/27/00 DWG. NO.: **SB3172** REV.: 01