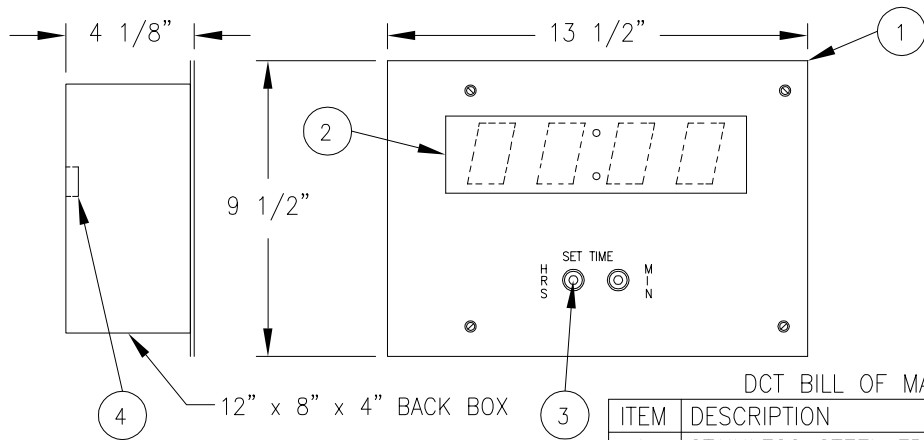


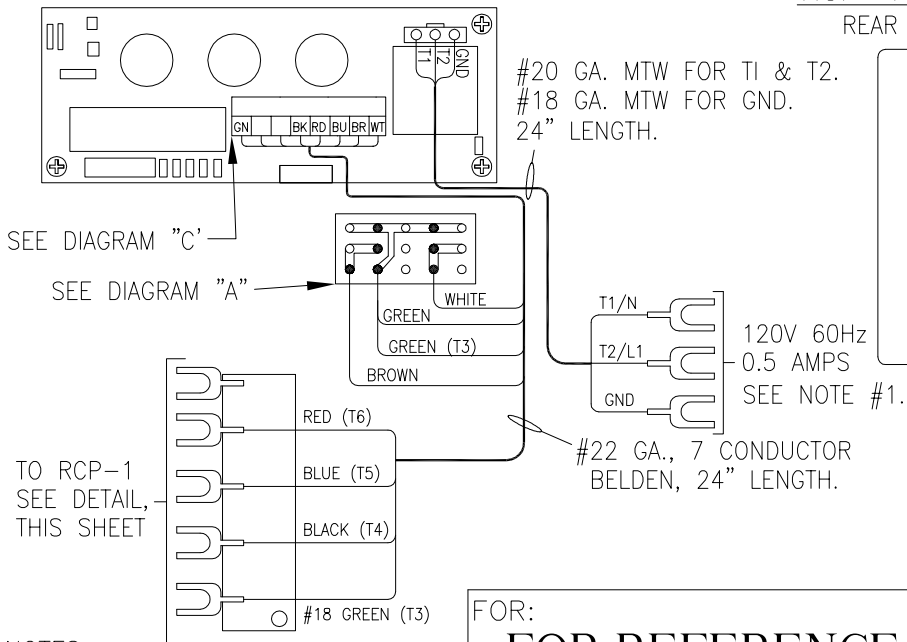
DIGITAL CLOCK/TIMER REMOTE CONTROL



TOTAL DCT REQUIRED .

DCT WIRING DIAGRAM

REAR VIEW OF DCT

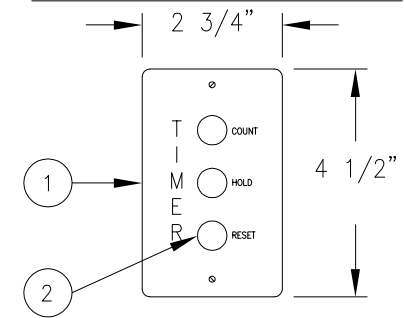


TO RCP-1
SEE DETAIL,
THIS SHEET

DCT BILL OF MATERIALS

| ITEM | DESCRIPTION |
|------|---------------------------------|
| 1 | STAINLESS STEEL FRONT, TYPE 304 |
| 2 | CLOCK/TIMER DISPLAY |
| 3 | CLOCK CONTROLS |
| 4 | TERMINAL BLOCK |

TIMER REMOTE CONTROL



RCP-1 BILL OF MATERIALS

| ITEM | DESCRIPTION |
|------|---------------------------------|
| 1 | STAINLESS STEEL FRONT, TYPE 304 |
| 2 | TIMER CONTROLS |

TOTAL RCP-1 REQUIRED .

RCP-1 WIRING DIAGRAM

REAR VIEW OF RCP-1

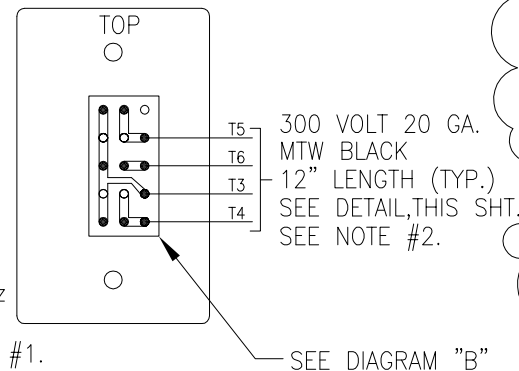


DIAGRAM "A"

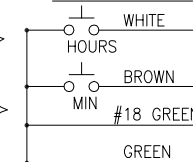
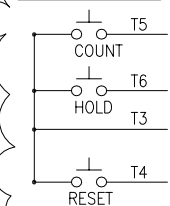
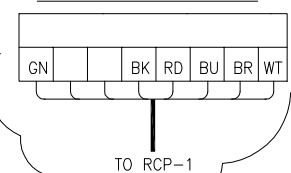


DIAGRAM "B"



CONFIGURATION "C"



UPDATED DRAWING. ADDED CSA SYMBOL.

JJM 10/21/04 02

CORRECTED BACKBOX DIMENSION.

JJM 03/21/03 01

REVISIONS

S.O. NUM.:

NOTES:

- CONTRACTOR'S CONNECTIONS MAY BE MADE WITH MIN. 300 VOLT 14 GAGE THHN OR EQUAL.
- CONNECTIONS ARE PIG-TAIL TYPE, MIN. 20 GAGE THHN OR EQUAL.

FOR:

FOR REFERENCE ONLY

STD. B.O.M.: DCT-2.xls

ACAD STD.: DCT.dwg



POST GLOVER LIFELINK
4750 OLYMPIC BLVD. BLDG. B
ERLANGER, KY U.S.A. 41018 (859) 283-5900
COPYRIGHT © 2004

THIS DOCUMENT AND THE INFORMATION IT CONTAINS ARE THE PROPERTY OF POST GLOVER LIFELINK. IT IS DISCLOSED FOR THE PURPOSE FOR WHICH IT IS FURNISHED AND SHALL NOT BE DUPLICATED OR DISTRIBUTED.

TITLE/DESCRIPTION:

DIGITAL CLOCK TIMER WITH REMOTE
TIMER CONTROL
TYPE: DCT W/RCP-1

DFTR: GCG

DATE: 04/28/00

DWG. NO.:

DCT

REV.: 02