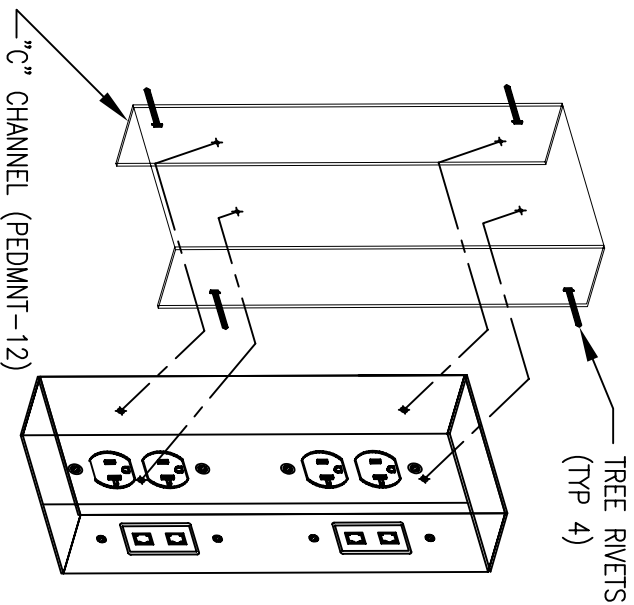


INSERT "C" BRACKET INTO LAB BENCH CHANNEL.
USE TREE RIVETS TO SECURE "C" BRACKET TO LAB
BENCH CHANNEL.

TO MOUNT PEDESTAL TO THE "C" CHANNEL LINE UP
THE (4) HOLES AND SECURE USING #8-32" X 1/4"
PAN HEAD SCREWS.



TOTAL REQUIRED _____

- NOTES:
1. ALL TOLERANCES ARE $\pm 1/16"$ UNLESS OTHERWISE NOTED.
 2. SCREWS SHOWN ARE ENLARGED FOR ILLUSTRATION PURPOSES.
 3. PEDESTAL WILL BE WIRED WITH #12 GAGE WIRE.
 4. ALL FEED AND RECEPTACLE PIGTAILS WILL BE 12" IN LENGTH.
 5. ALL PEDESTALS WILL BE PROVIDED WITH (1) CIRCUIT.

FOR:
FOR REFERENCE ONLY

S.O. NUM.:

STD.
B.O.M.:

ACAD STD.:

TITLE/DESCRIPTION:

SERIES 252 COVER MOUNT, VERTICAL
PEDESTAL RACEWAY, 2 DUPLEX REC
AND 2 DOUBLE COMMUNICATION JACKS



POST GLOVER LIFELINK

167 GAP WAY
ERLANGER, KY U.S.A. 41018 (859) 283-5900
COPYRIGHT © 2007

THIS DOCUMENT AND THE INFORMATION IT CONTAINS ARE THE PROPERTY OF POST GLOVER LIFELINK. IT IS
DISCLOSED FOR THE PURPOSE FOR WHICH IT IS FURNISHED AND SHALL NOT BE DUPLICATED OR DISTRIBUTED.

DFT: DRS DATE: 11/20/07 DWG. NO.: SERVED? REV.: 00